

Feb. 6, 1968

A. PRIORE

3,368,155

APPARATUS FOR PRODUCING RADIATIONS PENETRATING LIVING CELLS

Original Filed May 23, 1963

5 Sheets-Sheet 1

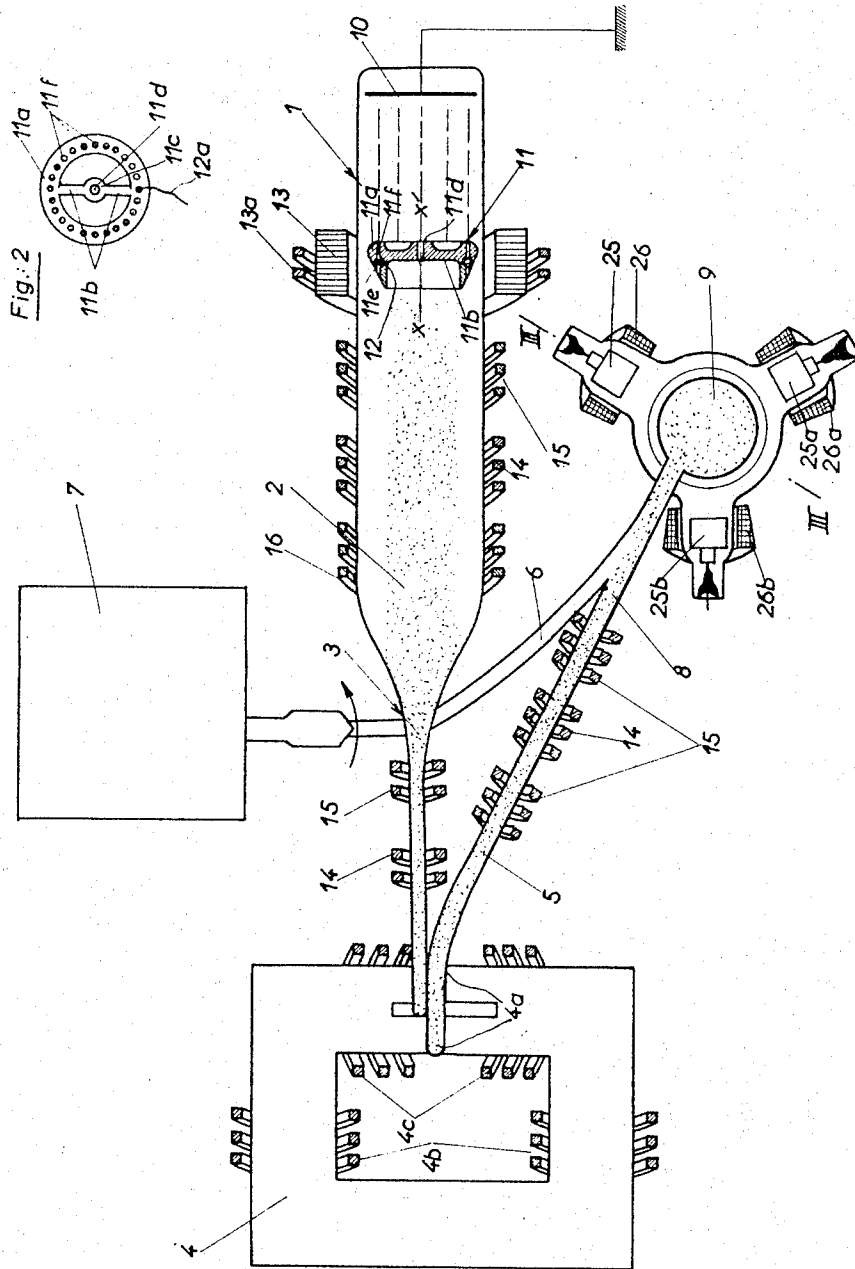


Fig. 1

Fig. 2

Feb. 6, 1968

A. PRIORE

3,368,155

APPARATUS FOR PRODUCING RADIATIONS PENETRATING LIVING CELLS

Original Filed May 23, 1963

5 Sheets-Sheet 2

Fig. 3

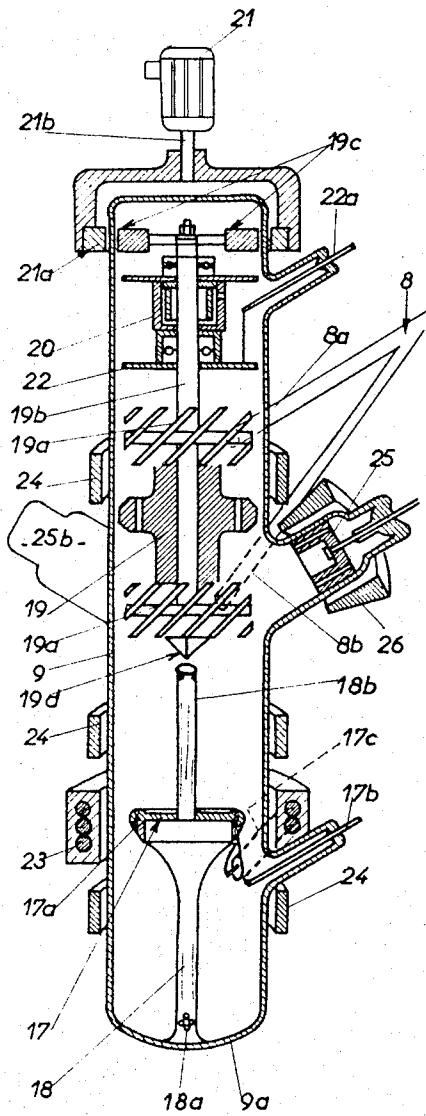
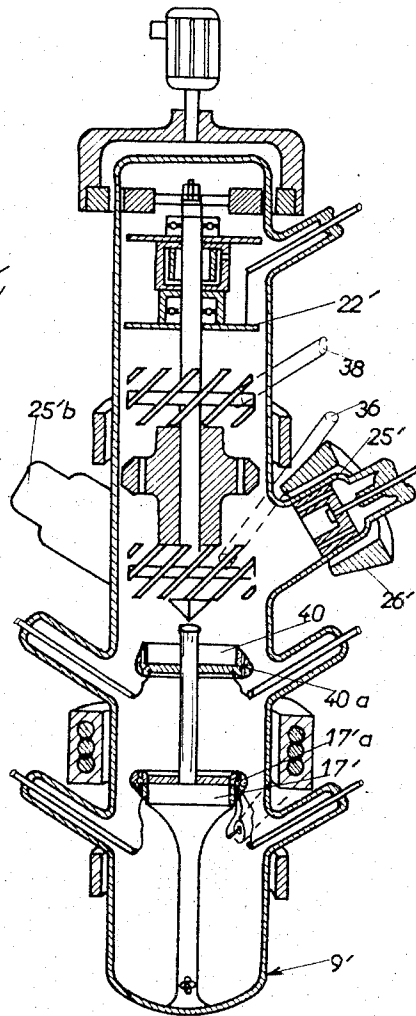
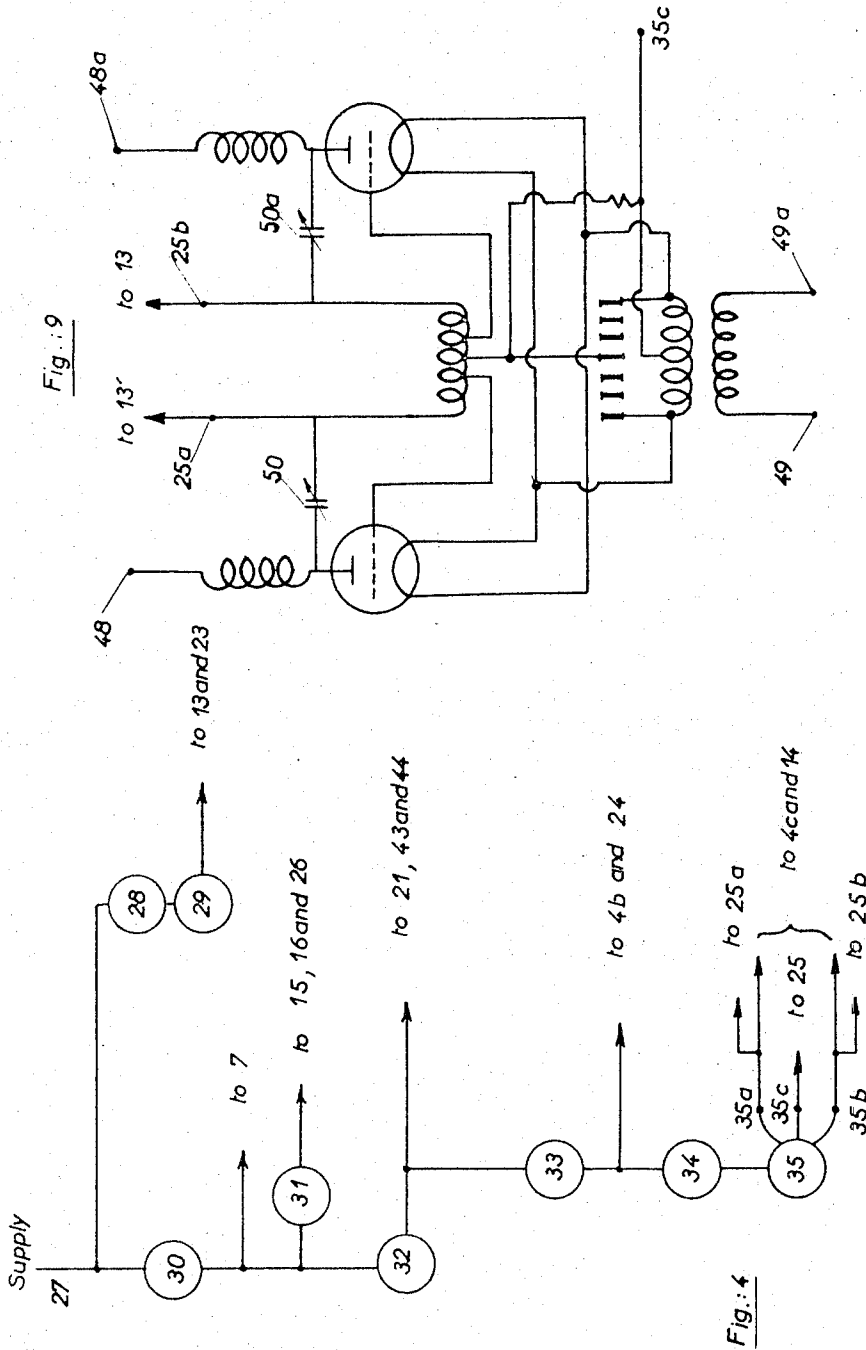


Fig. 6





Feb. 6, 1968

A. PRIORE

3,368,155

APPARATUS FOR PRODUCING RADIATIONS PENETRATING LIVING CELLS

Original Filed May 23, 1963

5 Sheets-Sheet 4

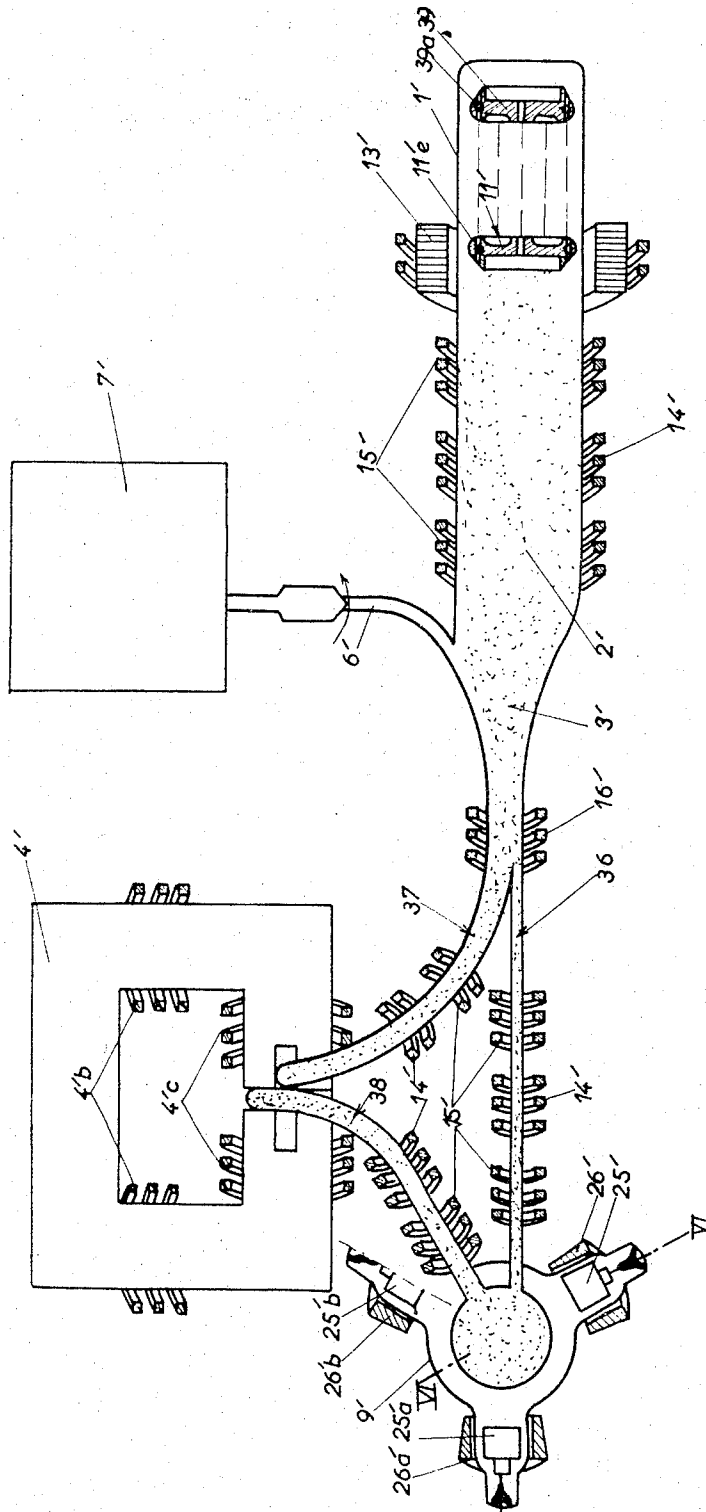


Fig. 5

Feb. 6, 1968

A. PRIORE

3,368,155

APPARATUS FOR PRODUCING RADIATIONS PENETRATING LIVING CELLS

Original Filed May 23, 1963

5 Sheets-Sheet 5

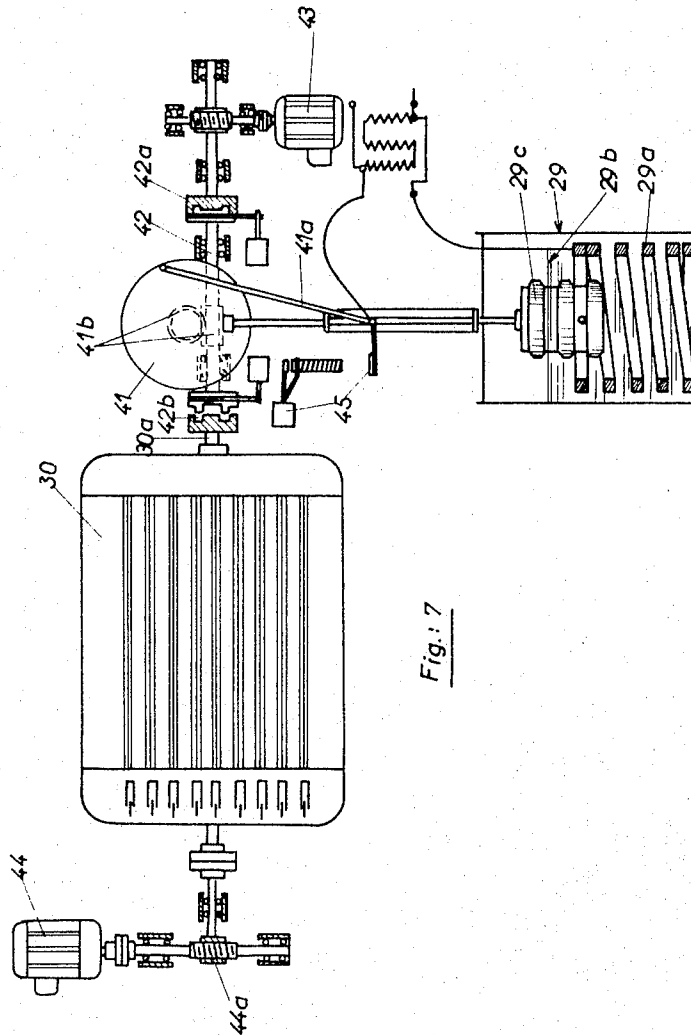


Fig. 7

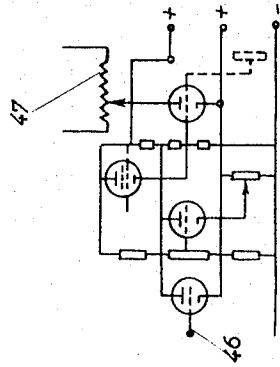


Fig. 8