

[54] **METHOD AND APPARATUS FOR MODIFYING THE REPRODUCTIVE MECHANISM OF ORGANISMS**

[76] Inventor: **Nicholas D. Glyptis**, 756 E. Northwest Hwy., Elmhurst, Ill. 60067

[22] Filed: **Mar. 8, 1971**

[21] Appl. No.: **122,159**

Related U.S. Application Data

[63] Continuation of Ser. No. 713,912, March 18, 1968, abandoned.

[52] U.S. Cl. **21/54 R; 21/102 R; 195/1; 250/531; 426/235; 426/237; 426/238**

[51] Int. Cl. **A61I 1/00; A61I 3/00**

[58] Field of Search **250/49.5 R, 49.5 TE, 250/49.5 GC, 49.5 TC, 531; 21/54 R, 102 R; 195/78, 1; 99/217, 221, 233, 253; 426/235, 426/237, 238**

[56] **References Cited**

UNITED STATES PATENTS

2,553,289 5/1951 Alexander et al. 21/54 R UX

2,729,748	1/1956	Robinson.....	250/49.5 TE
2,824,969	2/1958	Crowley-Milling	250/49.5 TE
2,887,583	5/1959	Emanuelson.....	21/102 R X
2,891,838	6/1959	Kaye	21/58
3,013,154	12/1961	Trump	250/49.5 R
3,057,792	10/1962	Frohlich.....	250/49.5 R X
3,057,795	10/1962	Frohlich.....	250/49.5 TC UX
3,095,359	6/1963	Heller.....	21/54 R UX
3,383,163	5/1968	Menashi.....	21/54 R
3,600,126	8/1971	Hellund.....	21/54 R

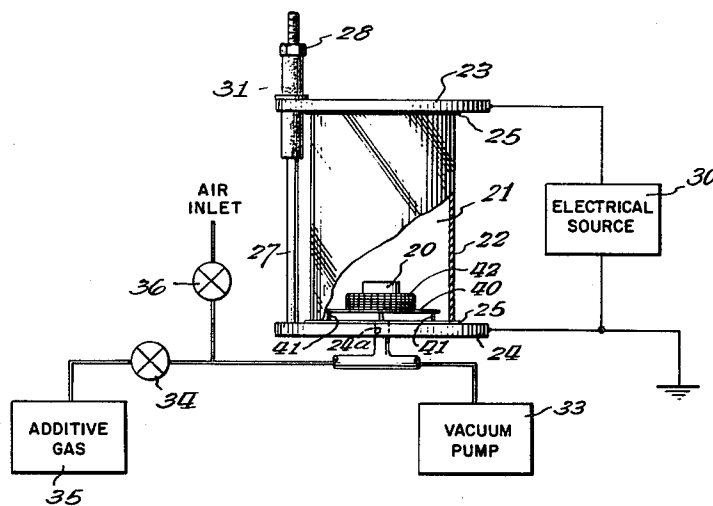
Primary Examiner—Barry S. Richman

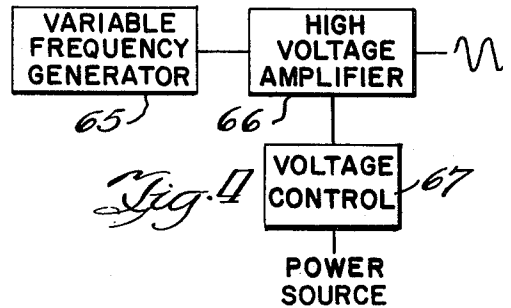
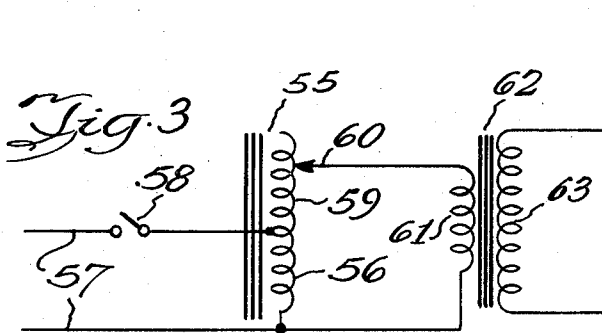
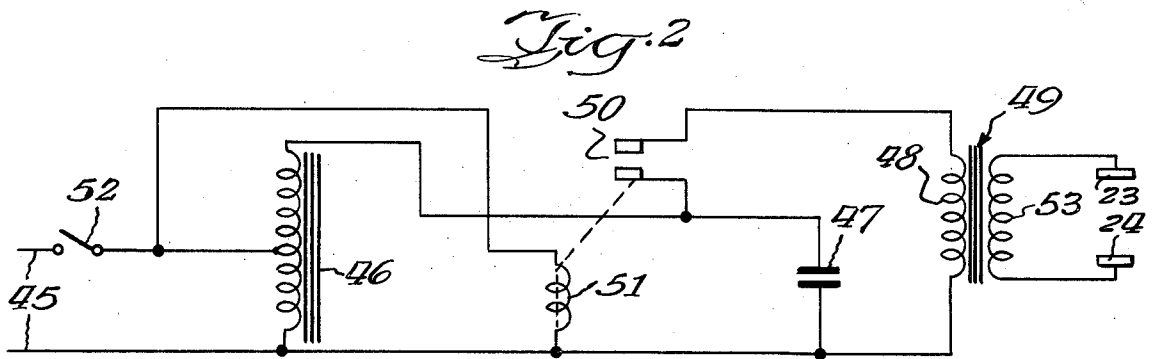
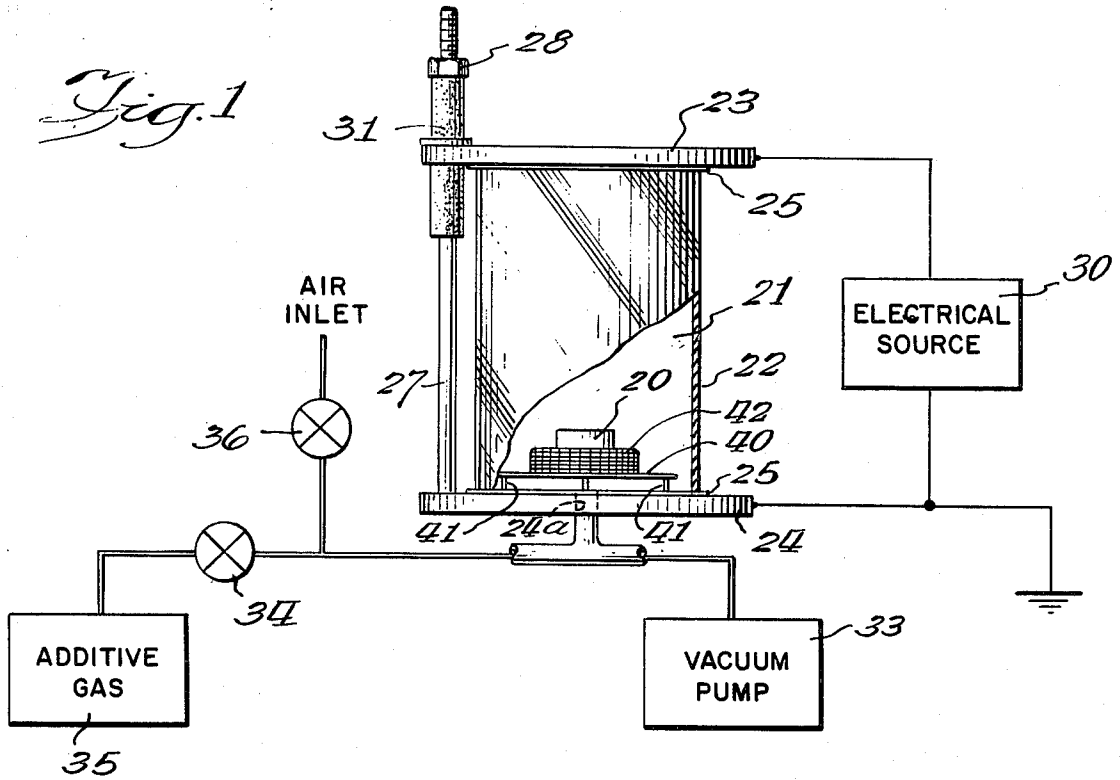
Attorney, Agent, or Firm—Wegner, Stellman, McCord, Wiles & Wood

[57] **ABSTRACT**

A method and apparatus for sterilizing matter by inhibiting the reproduction of organisms therein. The matter is treated at low energy levels, as by the use of a plasma discharge or by electromagnetic excitation to destroy or disrupt the functioning of the DNA molecule of the organisms.

10 Claims, 19 Drawing Figures





INVENTOR
Nicholas D. Glyptis
 BY *Hofgren, Hagen, Allen, Stillman & Ford*
 ATTORNEYS

Fig. 5

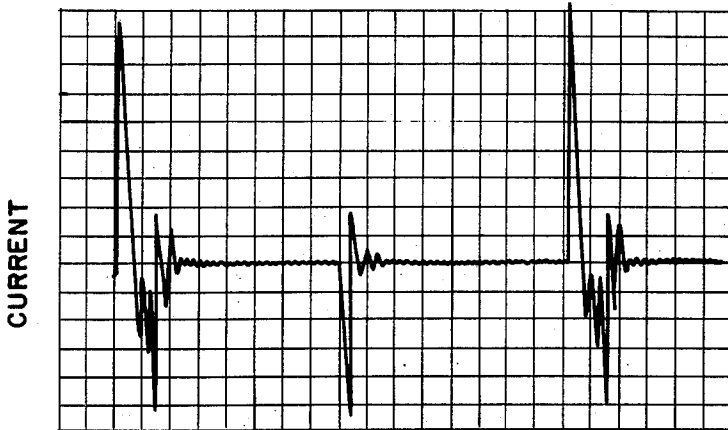
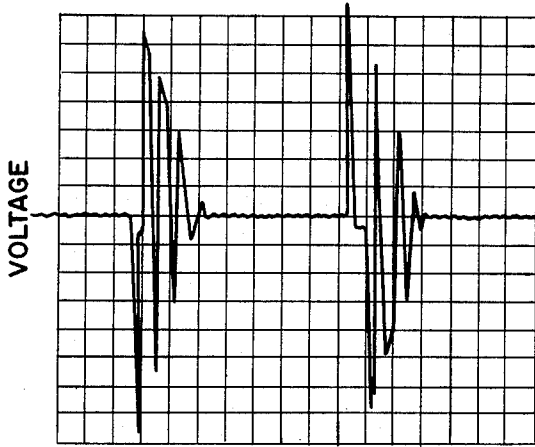


Fig. 8

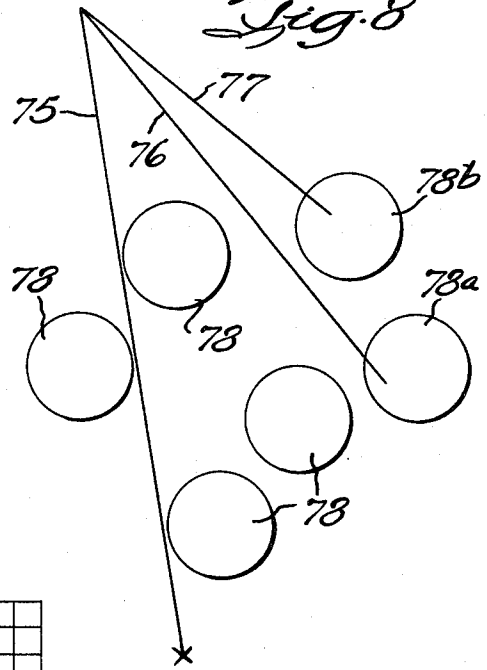


Fig. 6

Fig. 7

