

FIG. 3d

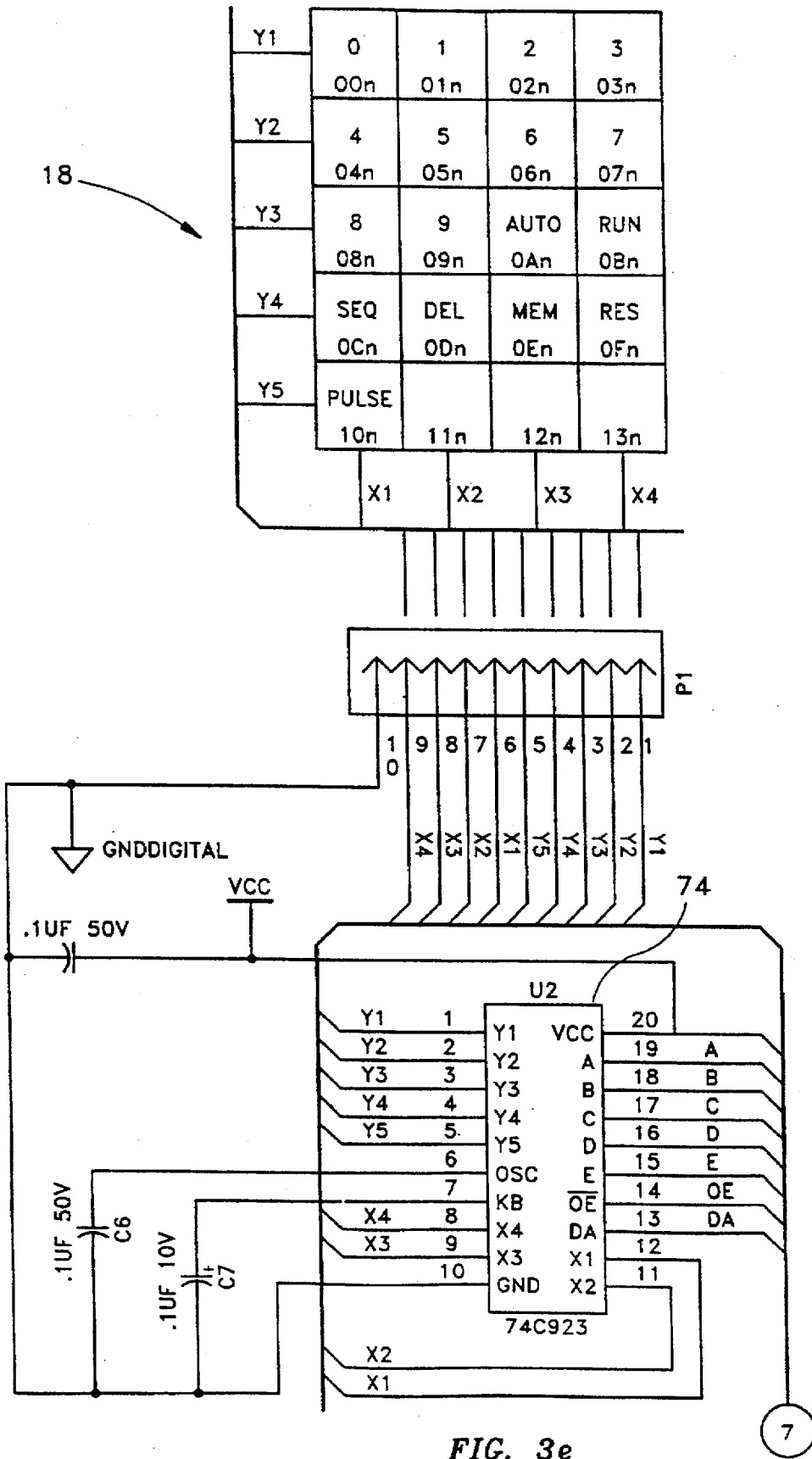


FIG. 3e

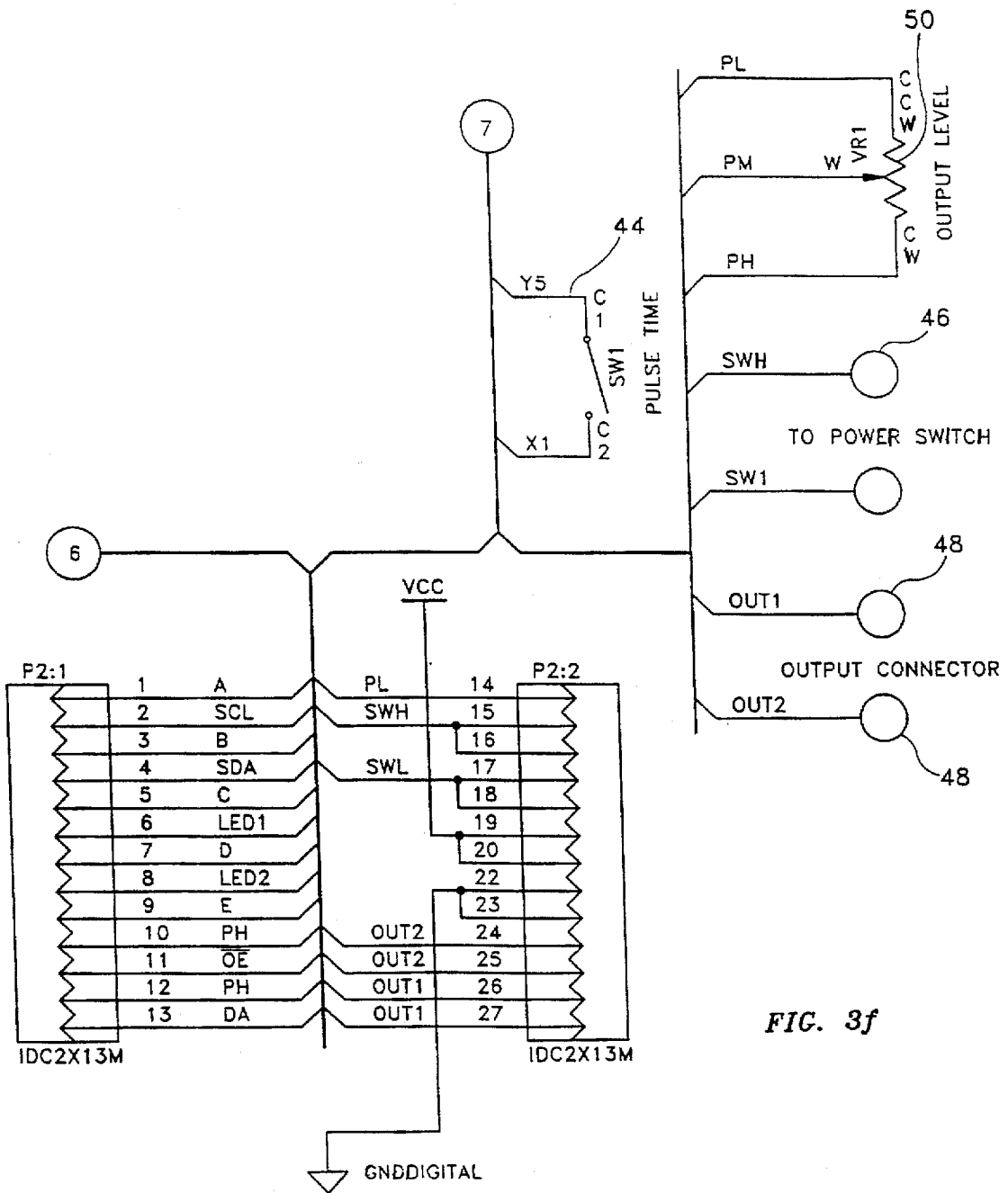


FIG. 3f

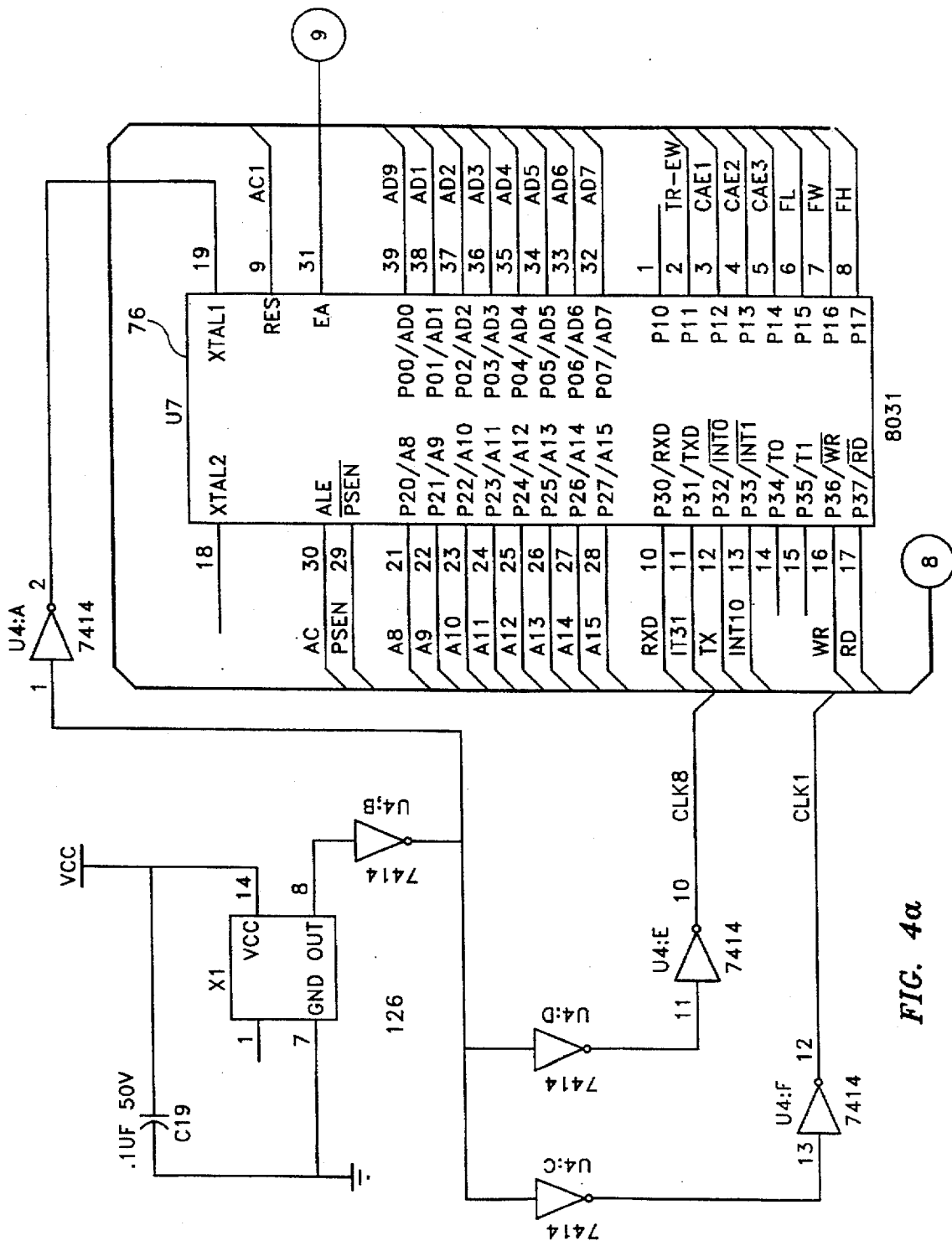


FIG. 4a

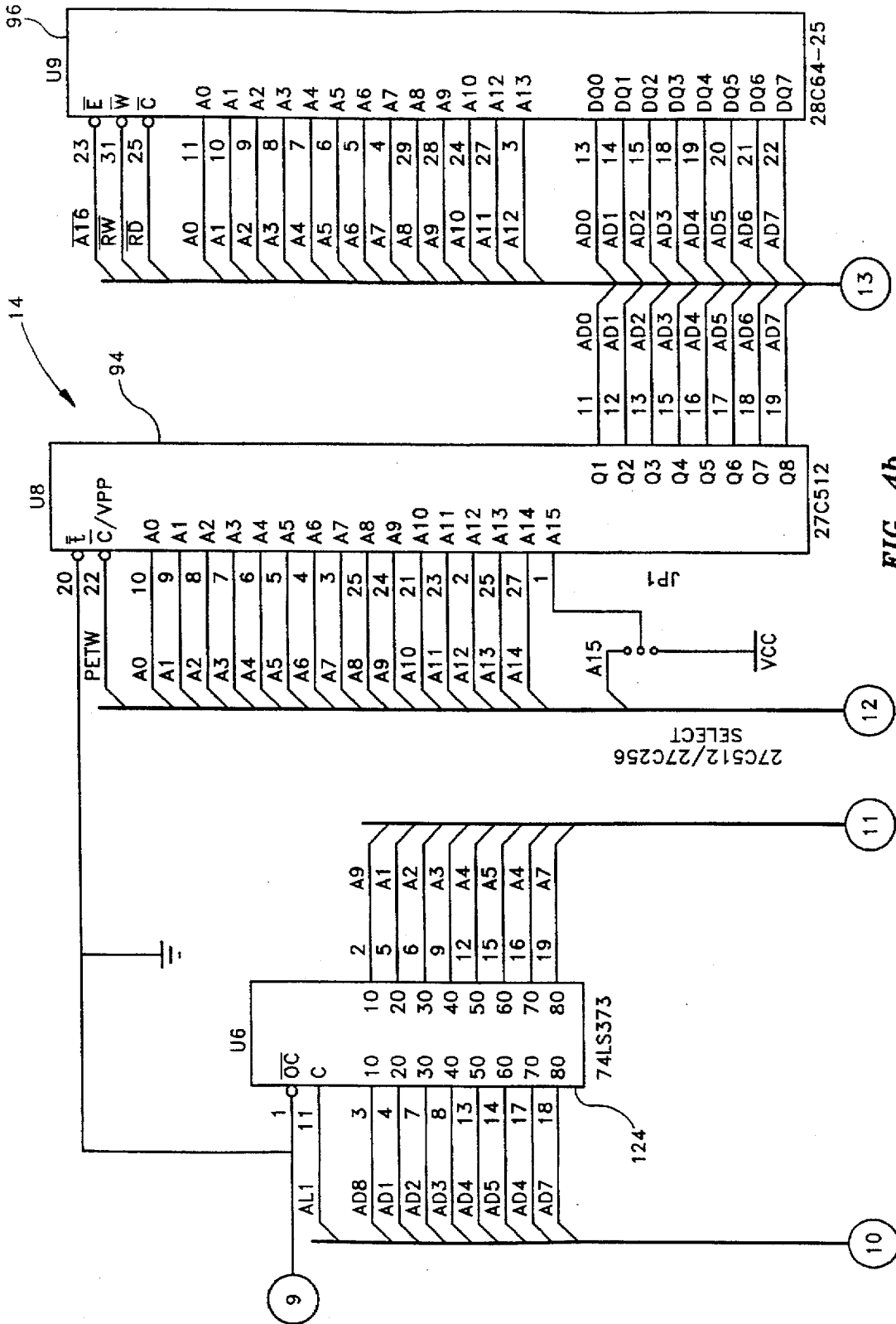


FIG. 4b

ROM (U8) ADDRESSES 0000h TO FFFFh  
RAM (U9) ADDRESSES 0000n TO 1FFFh  
U12 ADDRESS 6000n  
U16 ADDRESSES 2000n TO 2001h  
U17 ADDRESSES 4000n TO 4003n

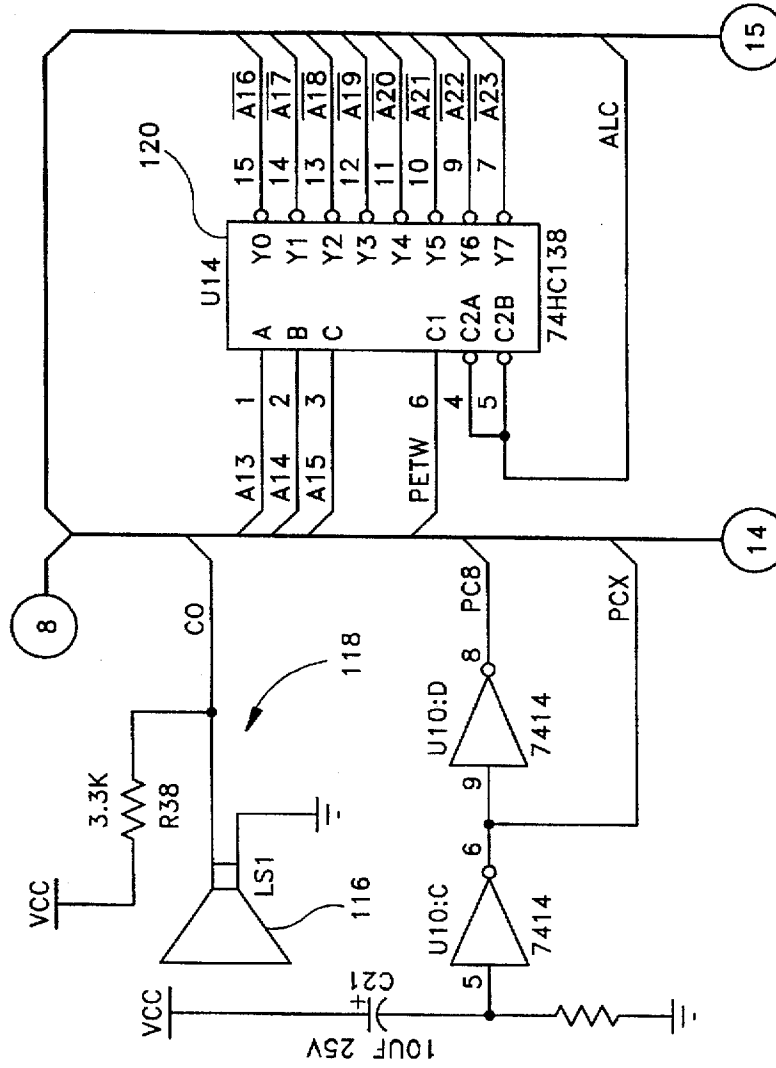


FIG. 4c