

FIG. 4d

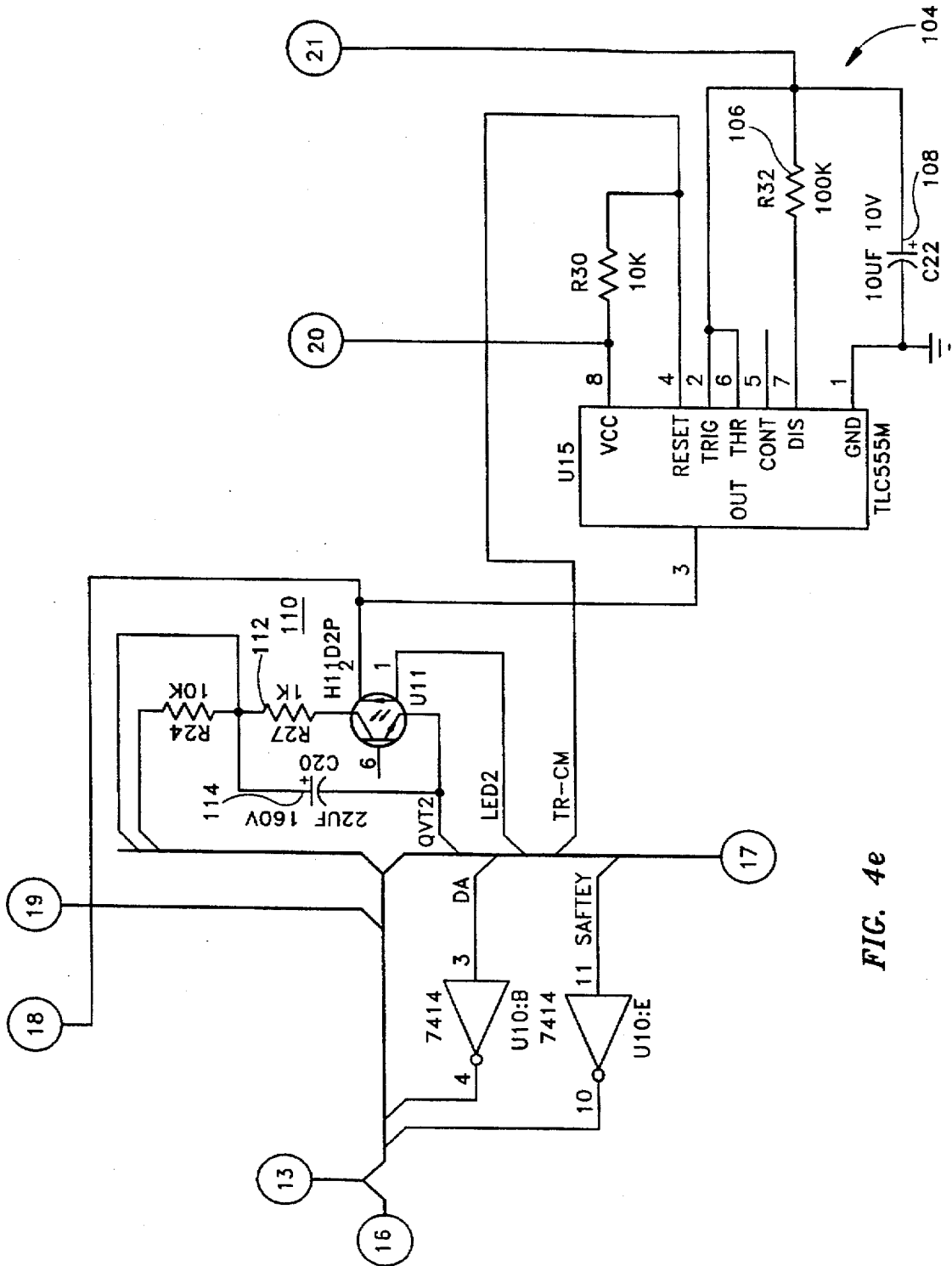


FIG. 4e

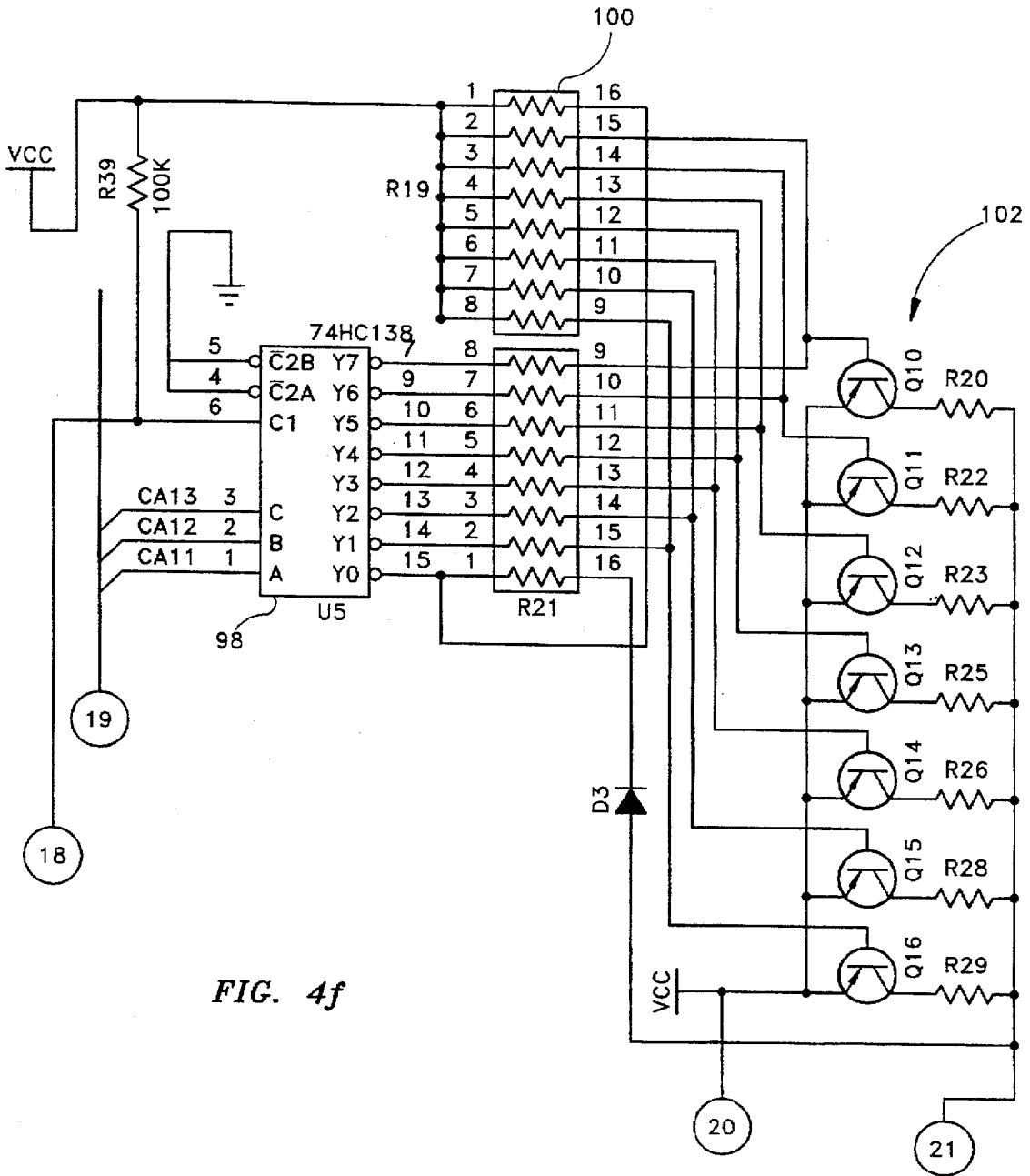


FIG. 4f

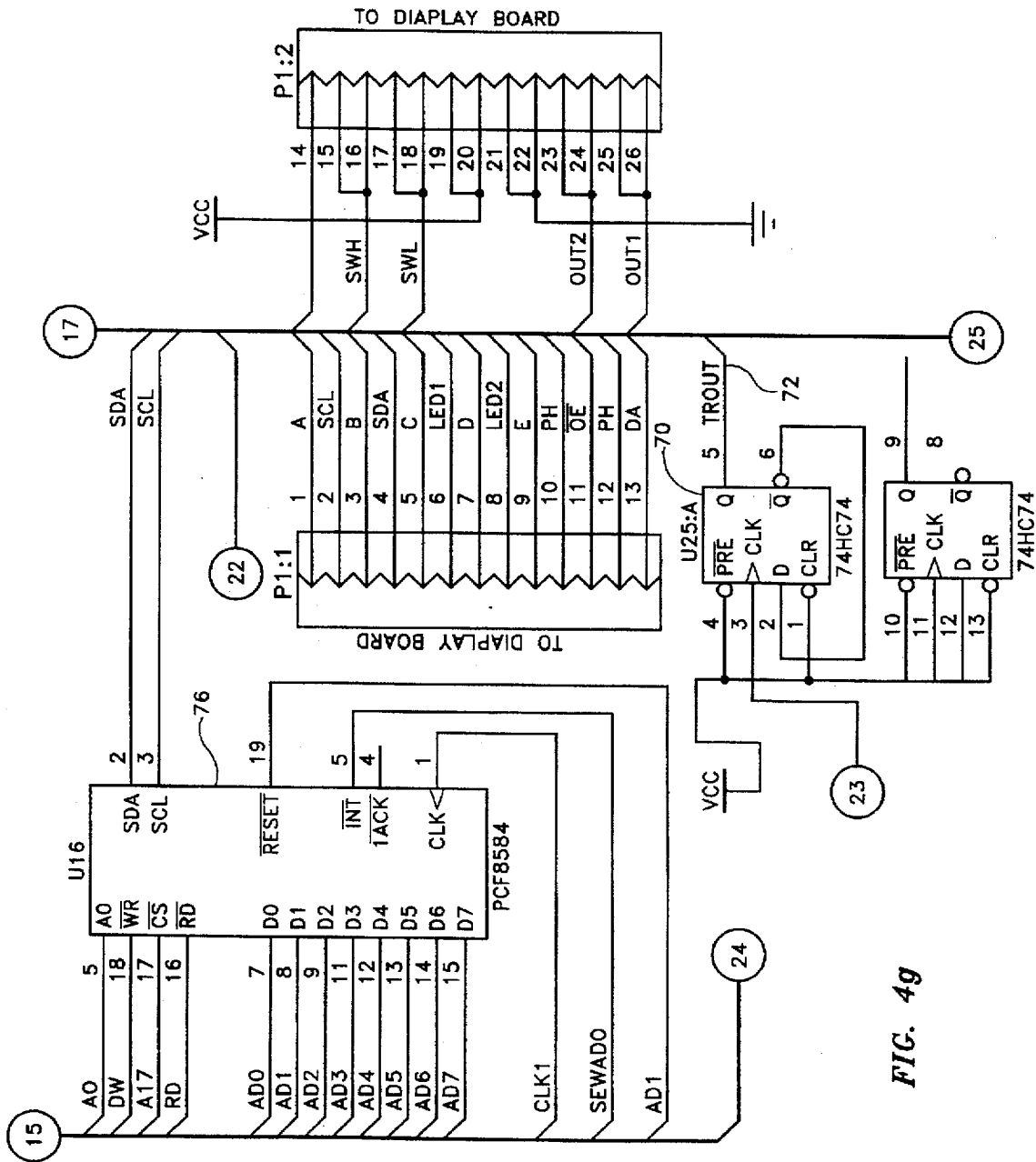
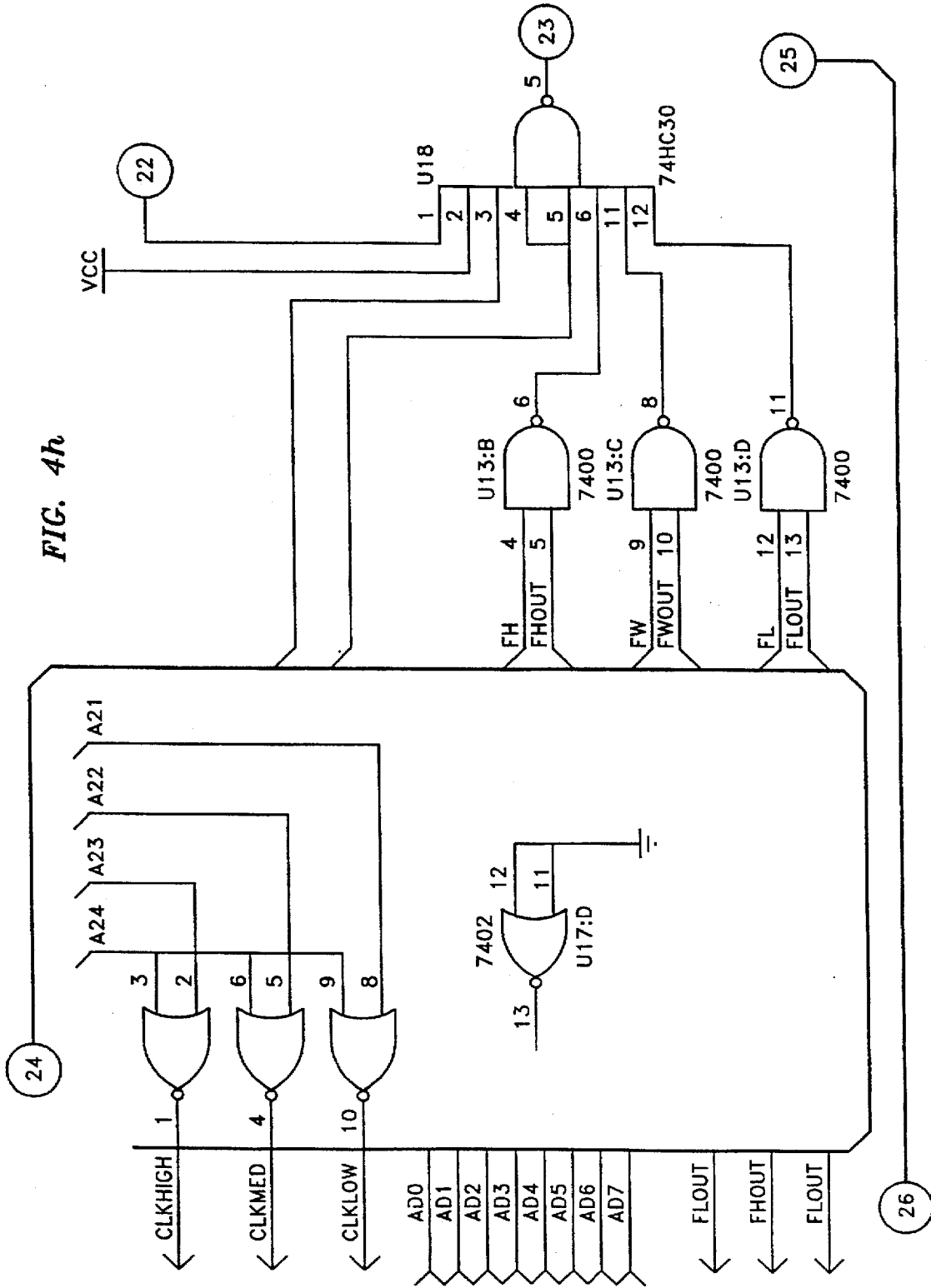


FIG. 4g

FIG. 4h



PORT PINS  
2-TTLOUT=OUTPUT  
3-INITIATE=SAFTEY RESET  
4-SDA=1<sup>^</sup>2C SERIAL DATA  
5-SCL=1<sup>^</sup>2C CLOCK  
6-TEST=PORT CONNECTED  
7-RES=RESET  
8-TRIP=SAFTEY TRIP TEST

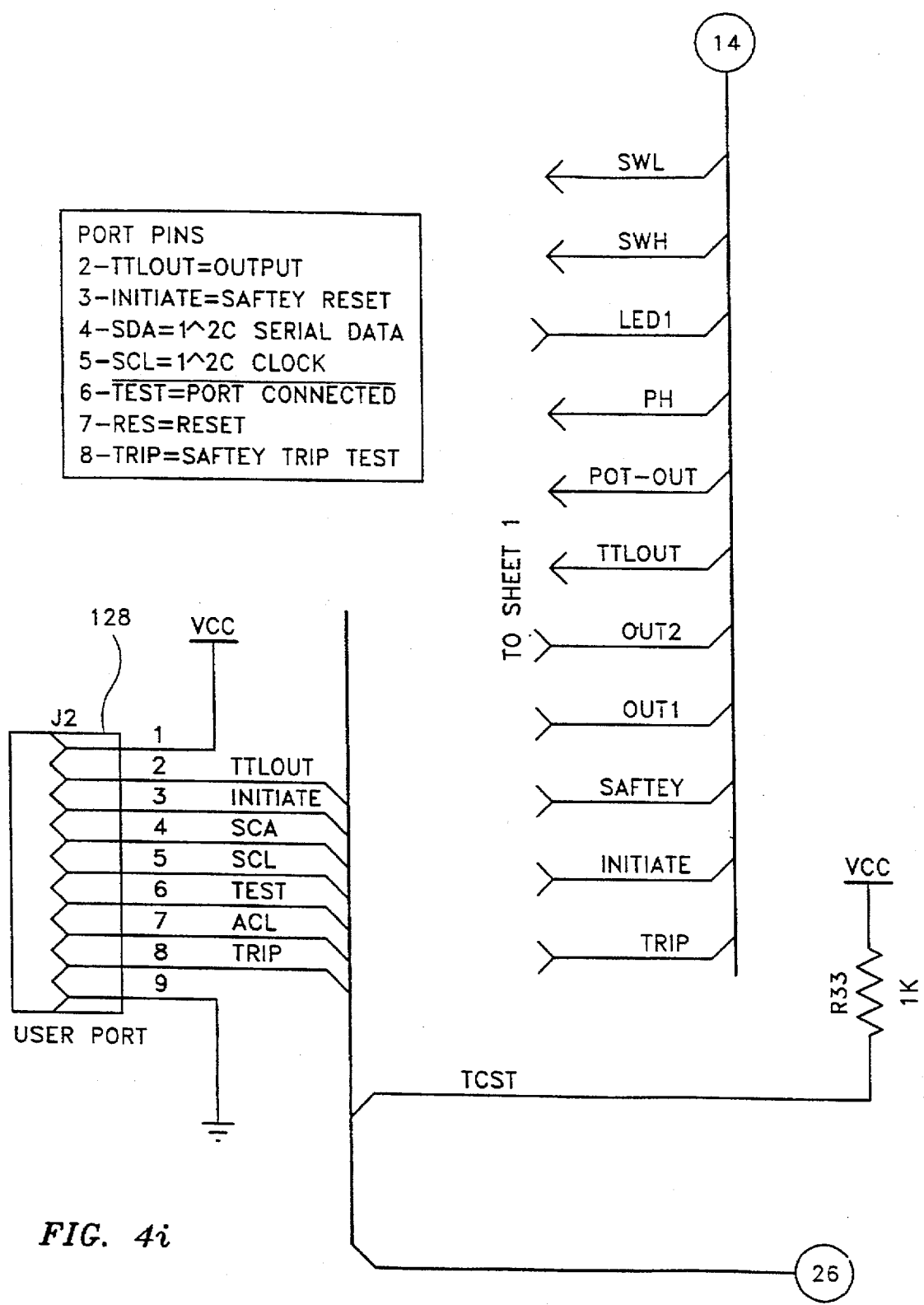


FIG. 4i

26