

Oct. 25, 1966

A. PRIORE  
METHOD OF PRODUCING RADIATIONS FOR  
PENETRATING LIVING CELLS

3,280,816

Filed May 23, 1963

5 Sheets-Sheet 1

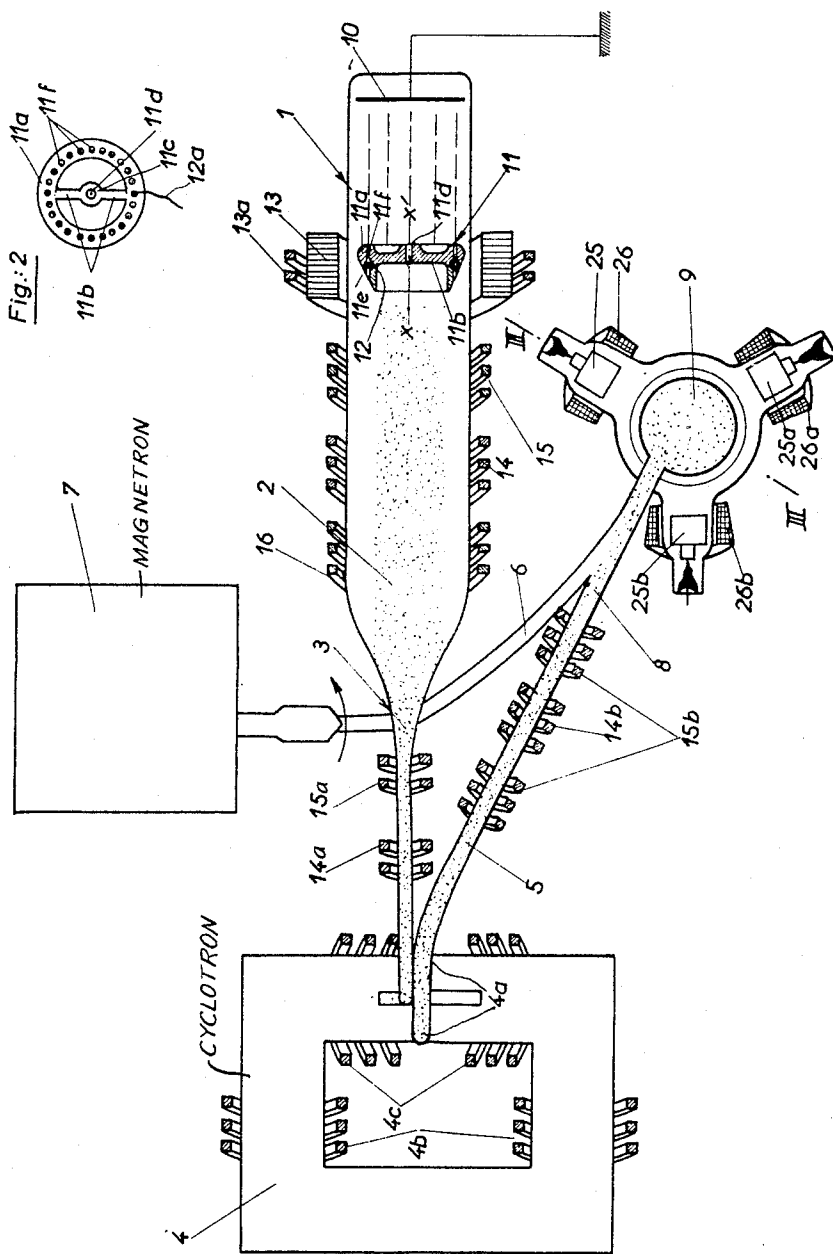


Fig. 1

Fig. 2

Inventor

Antoine Priore

By Sterens Davis, Miller & Mosher  
Attorneys

Oct. 25, 1966

A. PRIORE  
METHOD OF PRODUCING RADIATIONS FOR  
PENETRATING LIVING CELLS

3,280,816

Filed May 23, 1963

5 Sheets-Sheet 2

Fig.: 3

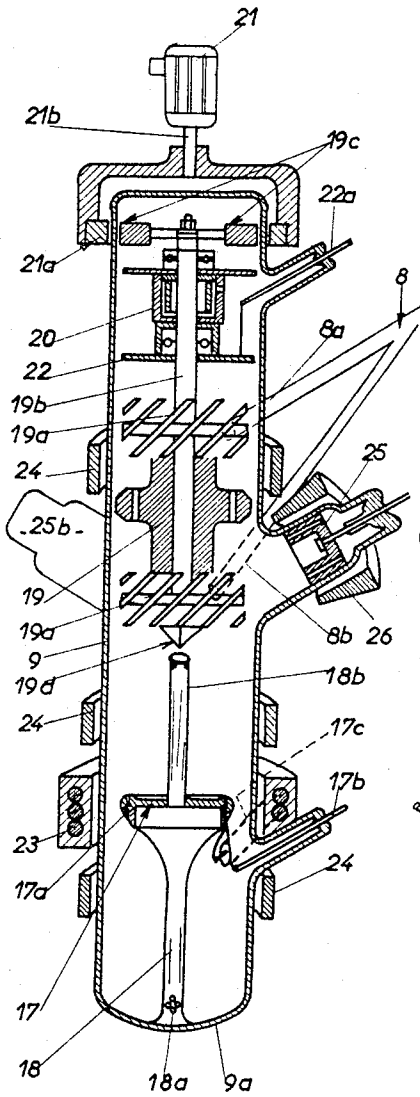
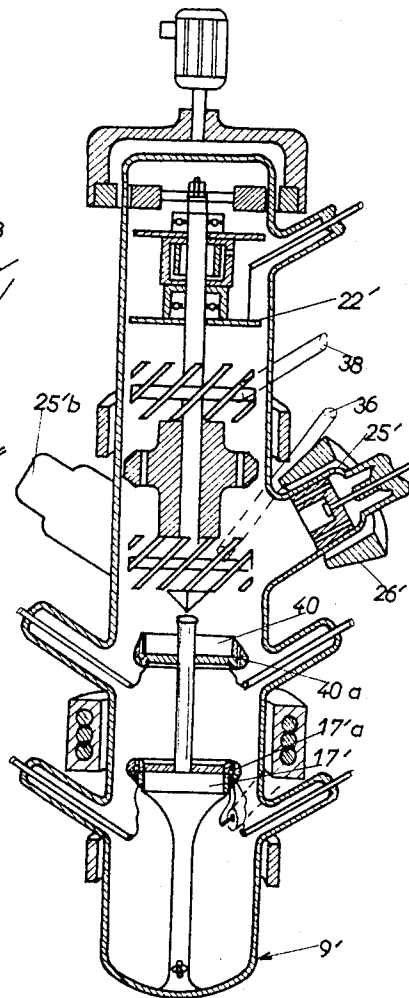


Fig.: 6



*Inventor*

*Antoine Priore*

*By: Thomas Davis Miller & Mosher  
Attorneys*

Oct. 25, 1966

A. PRIORE  
METHOD OF PRODUCING RADIATIONS FOR  
PENETRATING LIVING CELLS

3,280,816

Filed May 23, 1963

5 Sheets-Sheet 3

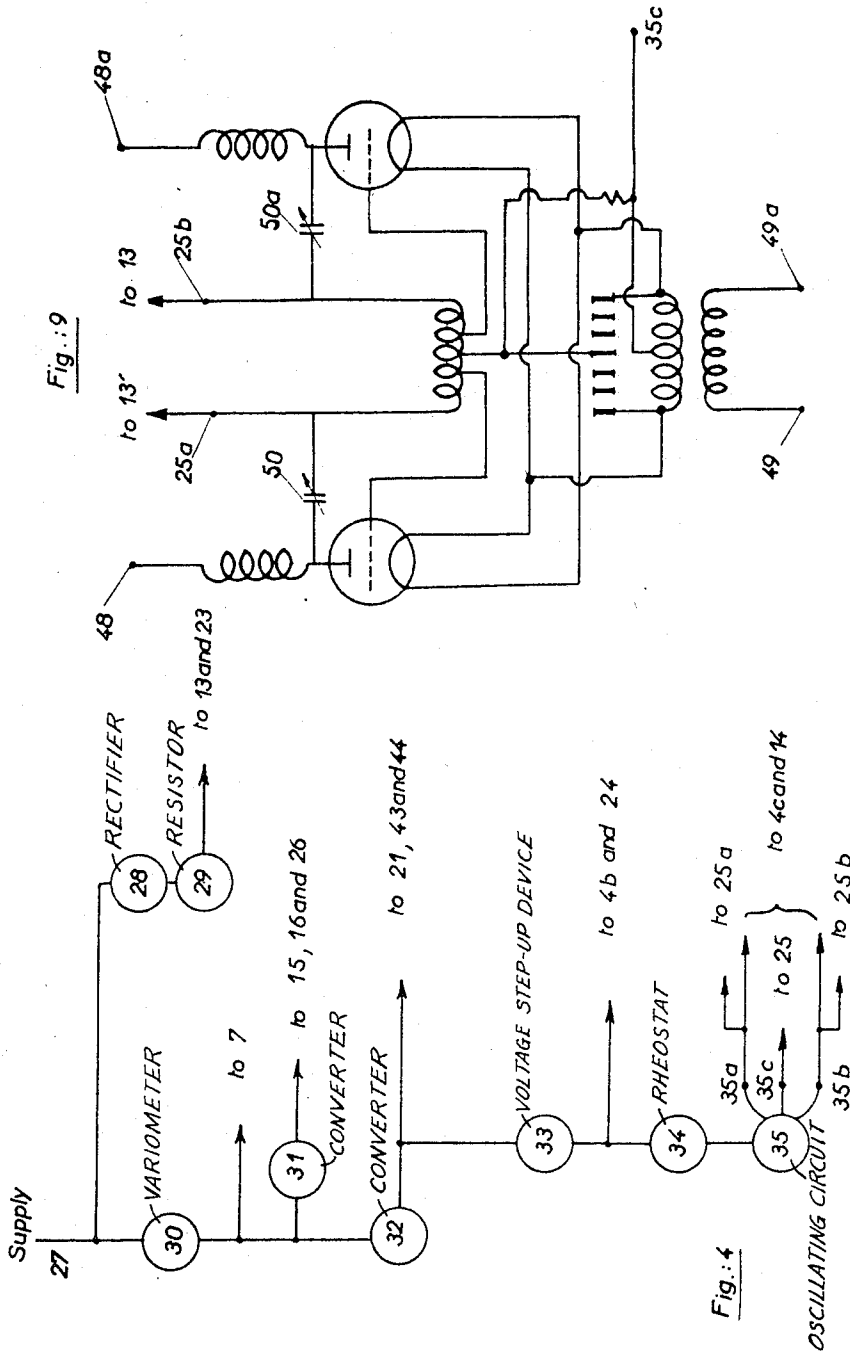


Fig. 4

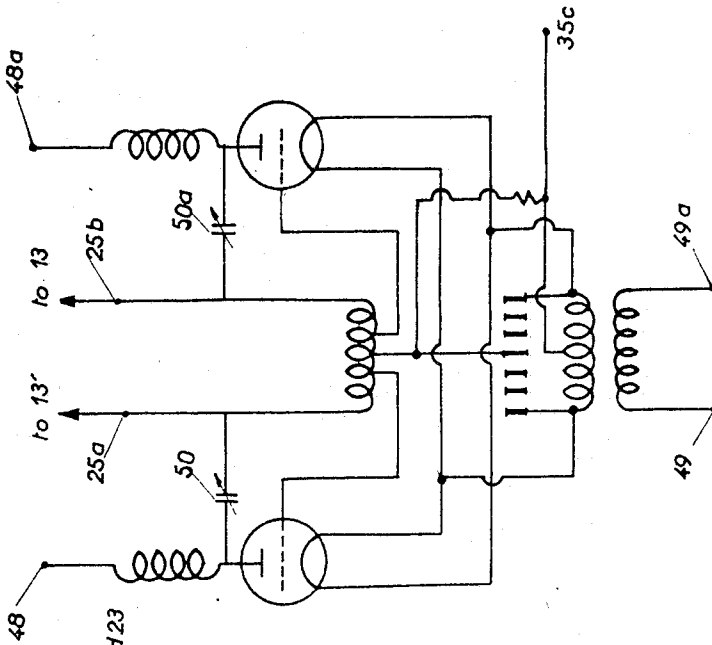


Fig. 9

Inventor

Antoine Priore

By Steveno Davis Miller & Mosher  
ATTORNEYS

Oct. 25, 1966

A. PRIORE  
METHOD OF PRODUCING RADIATIONS FOR  
PENETRATING LIVING CELLS

3,280,816

Filed May 23, 1963

5 Sheets-Sheet 4

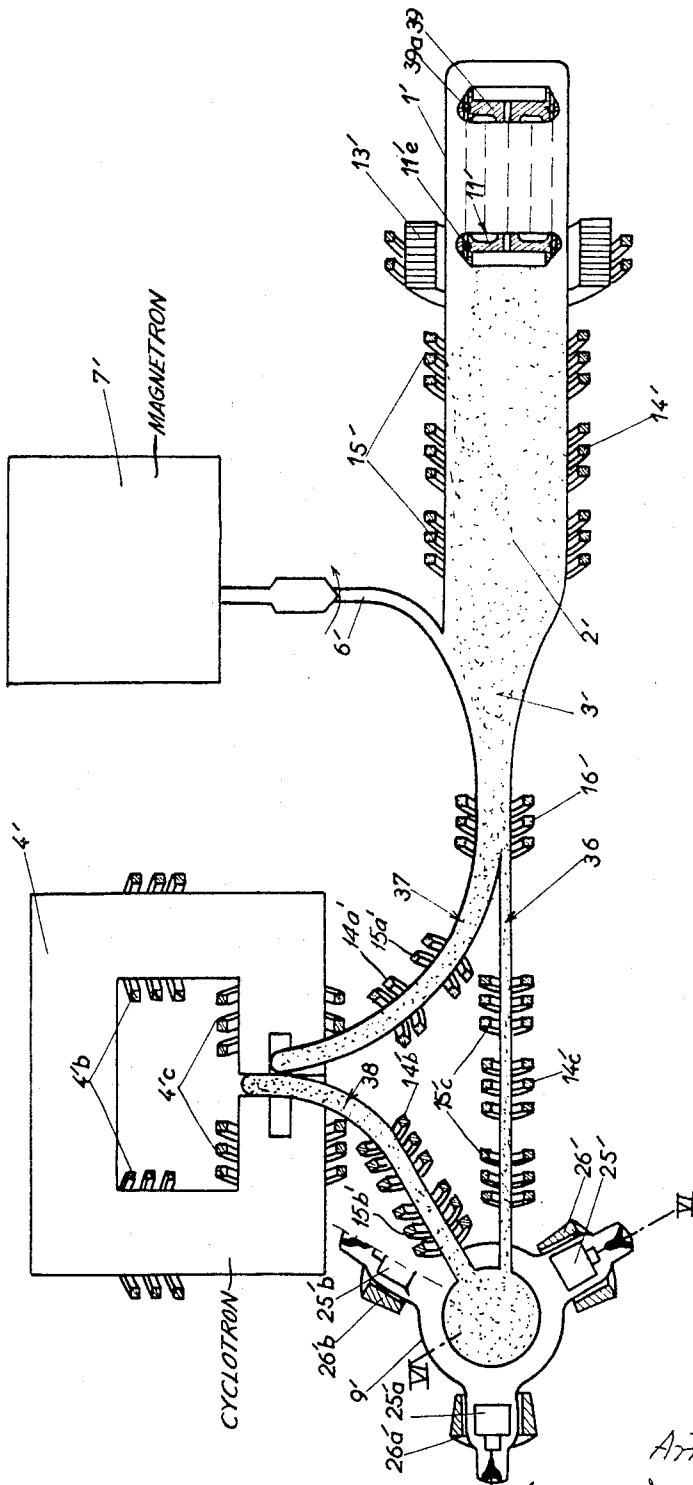


Fig. 5

Inventor  
Antoine Priore  
By Steven Paris Miller Mosher  
ATTORNEYS

Oct. 25, 1966

A. PRIORE  
METHOD OF PRODUCING RADIATIONS FOR  
PENETRATING LIVING CELLS

3,280,816

Filed May 23, 1963

5 Sheets-Sheet 5

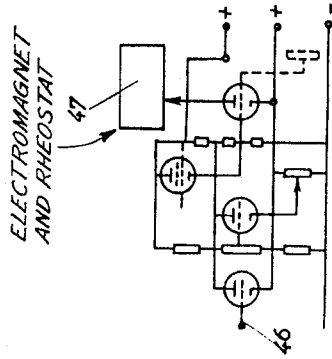


Fig. 8

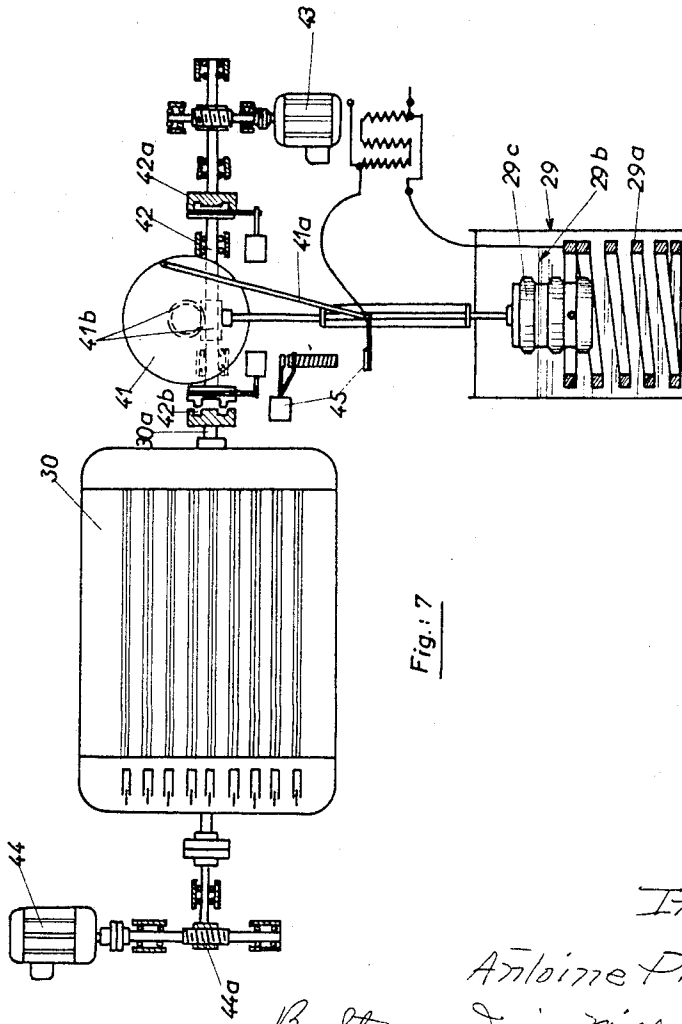


Fig. 7

Inventor

Antoine Priore

By Stevens Davis Miller & Mosher  
Attorneys